

03 CHAMELEON GLASS SYSTEM

FIXING POINTS	54 - 55
CUSTOMISABLE COVERS	56
GLASS CLAMP FOR GROUND ANCHORAGE	57

03 CHAMELEON GLASS SYSTEM



RUBBER Mallet TO BE USED



PRODUCT TO BE GLUED WITH E4054



ASSEMBLY WITH ALLEN KEY



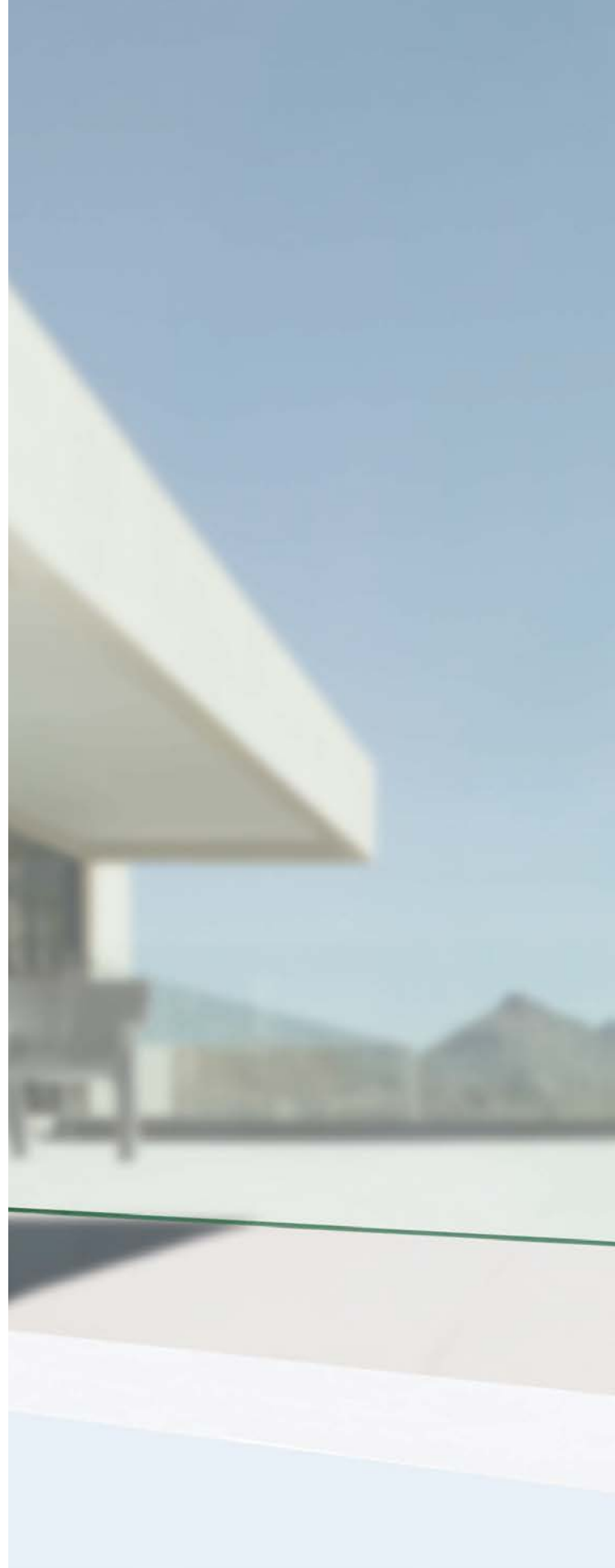
PRODUCT TO BE WELDED



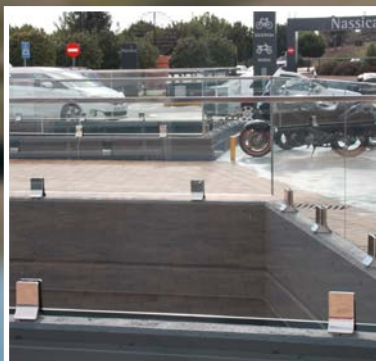
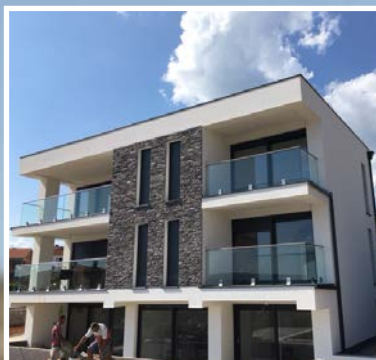
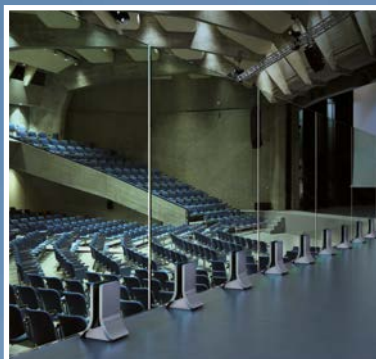
ANTI-CLIMB PRODUCT



SUPER STRONG, HIGH RESISTANT PRODUCT



As its name suggests, Chameleon is characterised by its adaptability to blend in with different environments. Available in the full range of RAL colours, special finishes and with the option of interchangeable covers (in different shapes and materials), whatever the application Chameleon can complement its surroundings. Thanks to its high resistance, this versatile, customisable glass clamp is ideal for installations in public places.



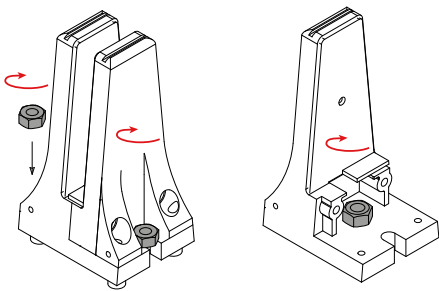
03 CHAMELEON GLASS SYSTEM

CHAMELEON EVO

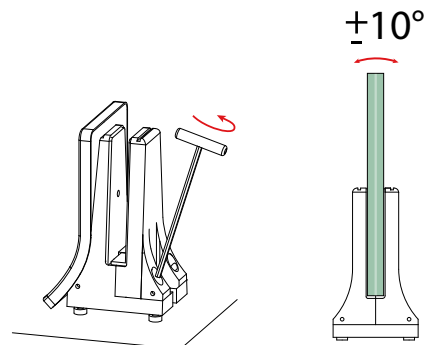
GLASS SYSTEM



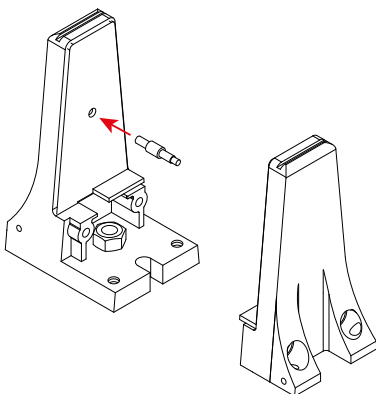
- Anchorage possible on a single central point or on two points



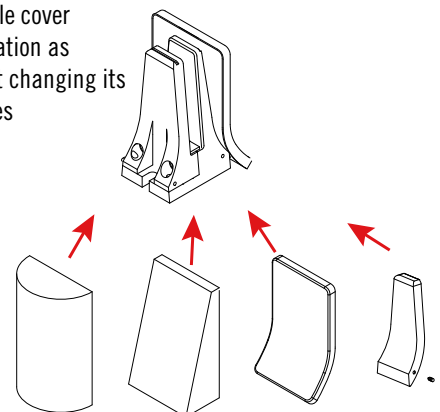
- Adjustable feet from above for the levelling of the railing

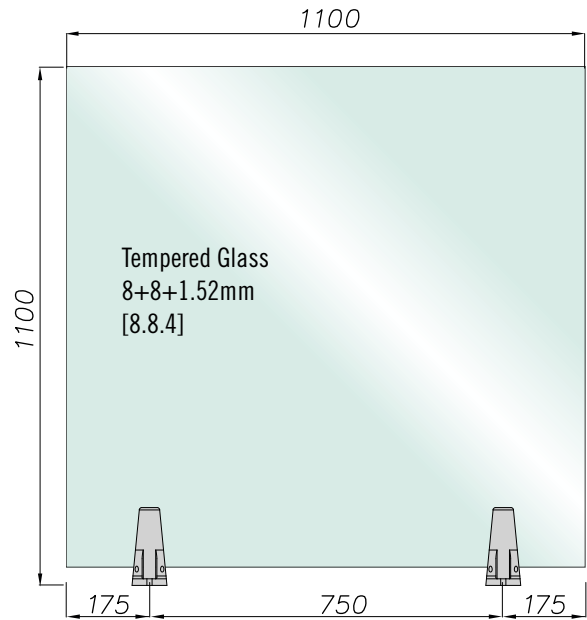
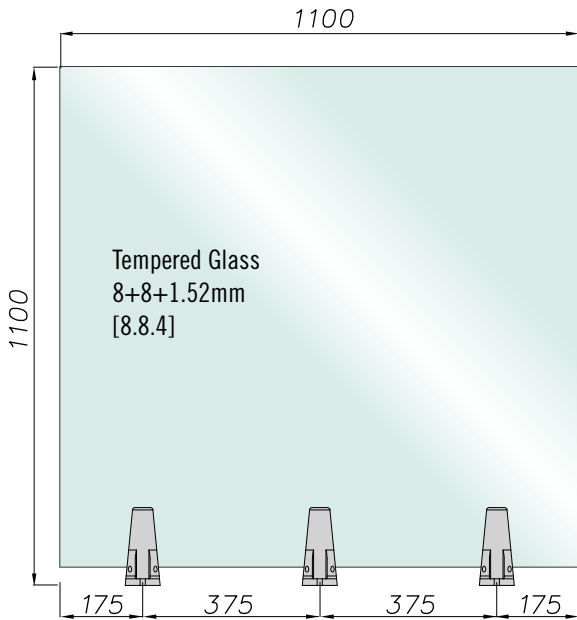


- Safety pin for greater stability

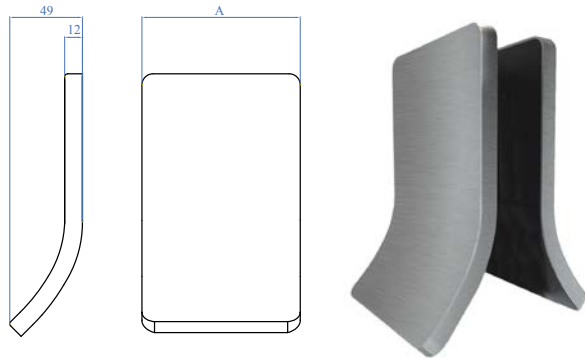
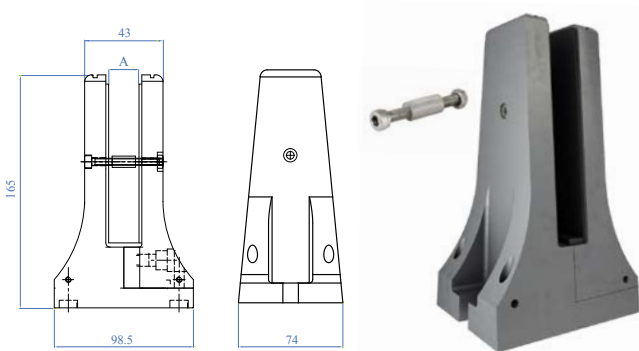


- Interchangeable cover allows customisation as required, without changing its technical features



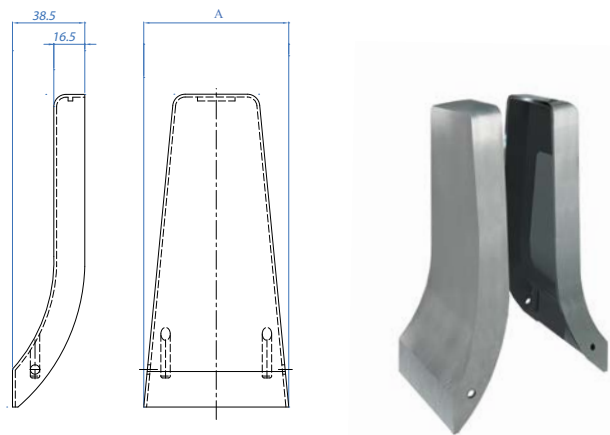
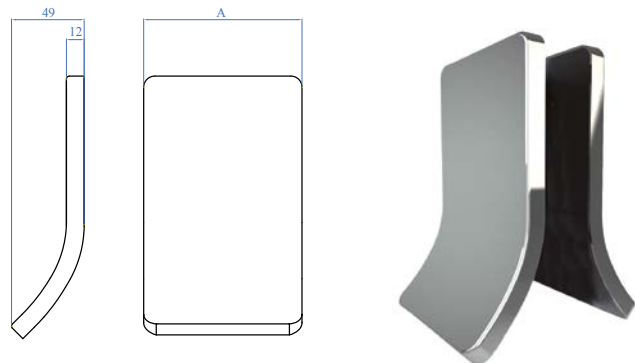


With locking pin



ZAMAC	FINISH	GLASS THICKNESS A
J2000360	Matt	12.76mm
J2000370	Matt	13.52mm
J2000380	Matt	17.52mm

AISI316	FINISH	DIMENSION A
E2000350	Satin	107mm



AISI316	FINISH	DIMENSION A
X2000350	Mirror polished	107mm

AISI304	AISI316	FINISH	DIMENSION A
E2000360	E2000360316	Satin finish in casting	77mm

100% CUSTOMISABLE

All Chameleon covers can be fully customised Choose your colour, the shape and the material

Colours

Chameleon covers can be powder coated. Powder coating is a covering procedure for metallic surfaces, achieved with an organic film; it is carried out for decorative purposes and protection against corrosion and strong agents. All colours of the RAL colour chart are possible and, in addition to our team of expert varnishers, we can also provide some special finishes.

Shapes and Materials

Chameleon covers can be created in different shapes and to customers' specifications. Furthermore, customers can specify the material of the covers (such as wood or marble) and thereby achieve a railing design suitable for any architectural design or environment.

Below are some of the special finishes



Micaceous Grey



Matt black



Verdigris effect



Infinite white



Corten effect



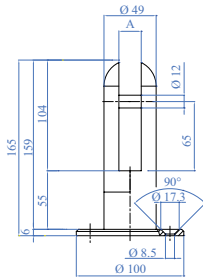
Acid-etched effect



All colours on RAL chart



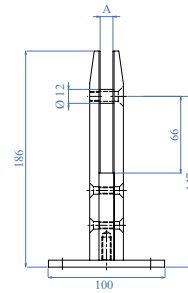
GLASS CLAMP FOR GROUND ANCHORAGE



2 pieces: anchor flange \varnothing 100mm and 3 countersunk holes and 165mm glass clamp



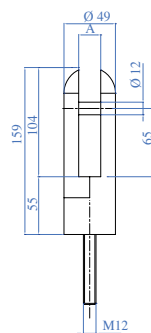
AISI304	AISI316	GLASS THICKNESS A
E2000500	E2000600	12 to 17.52mm



2 pieces: anchor flange 100mm sq. with 4 holes and 186mm glass clamp



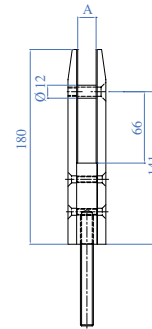
AISI304	AISI316	GLASS THICKNESS A
E2100500	E2100600	12 to 17.52mm



2 pieces: glass support 159 mm high and M12 threaded bar x 120mm long



AISI304	AISI316	GLASS THICKNESS A
E2000100	E2000200	12 to 17.52mm



2 pieces: glass support 180 mm high and M12 threaded bar x 120mm long



AISI304	AISI316	GLASS THICKNESS A
E2100100	E2100200	12 to 17.52mm



03 GLASS CLAMP FOR GROUND ANCHORAGE